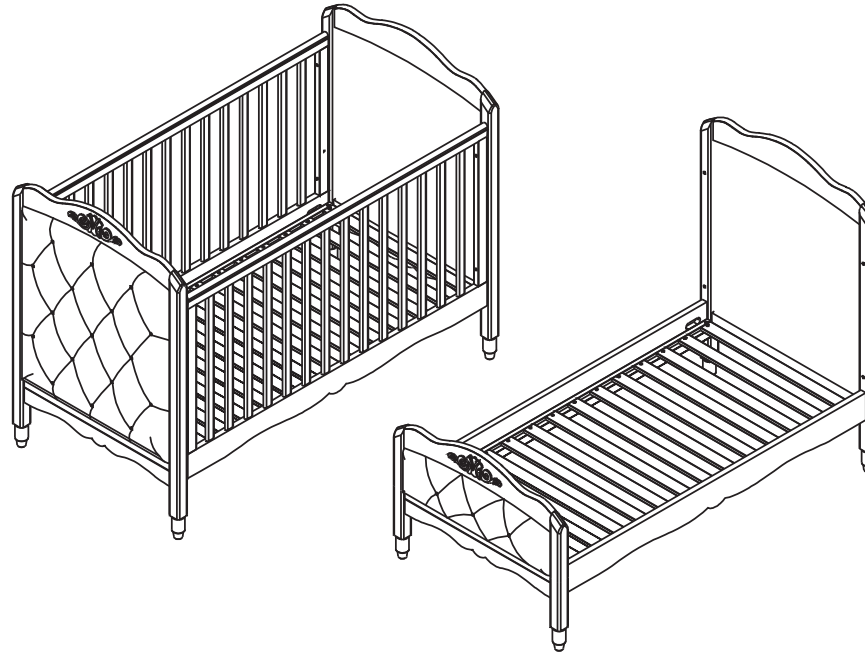


mee-go

Epernay

Cot Bed Instructions



**IMPORTANT! RETAIN FOR FUTURE
REFERENCE. READ CAREFULLY.**

- Warning: Be aware of the risk of open fire and other sources of strong heat, such as electric bar fires, gas fires, etc. in the near vicinity of the cot or bed, and do not place near windows or other furniture.
- Warning: Do not use this cot or bed if any part is broken, torn, or missing and use only spare parts approved by Mee-Go Epernay
- Warning: Do not leave anything in the cot or place the cot next to another product, which could provide a foothold or present a danger of suffocation or strangulation e.g. strings, blind/curtain cords, etc.
- Warning: Do not use more than one mattress in the cot. The lowest position is the safest and should always be used as soon as your child is old enough to sit up.
- The thickness of the mattress chosen shall be such that the internal height (surface of the mattress to the upper edge of the cot frame) is at least 500mm in the lowest position of the cot base and at least 200mm in the highest position of the cot base.
- The recommended mattress size is 1400mm x 700mm with a thickness not exceeding 150mm.
- All assembly fitting should always be tightened properly and fittings should be checked regularly and retightened as necessary.
- To prevent injury from falls, when the child is able to climb out of the cot, the cot shall no longer be used for that child. The cot should be converted to a bed.
- The safety of the cot could be adversely affected by fitting flammable drapes.
- Children are likely to play, bounce, jump, and climb on beds, therefore the child's bed should not be placed to other furniture or windows, blind cords, curtain pulls or other strings or cords. It should be placed either tight to any wall or have a gap of 300 mm between the wall and the side of the bed.
- This cot bed can be carefully dismantled for storage or transportation.
- This cot bed is intended for children aged from birth to 4 years approximately.

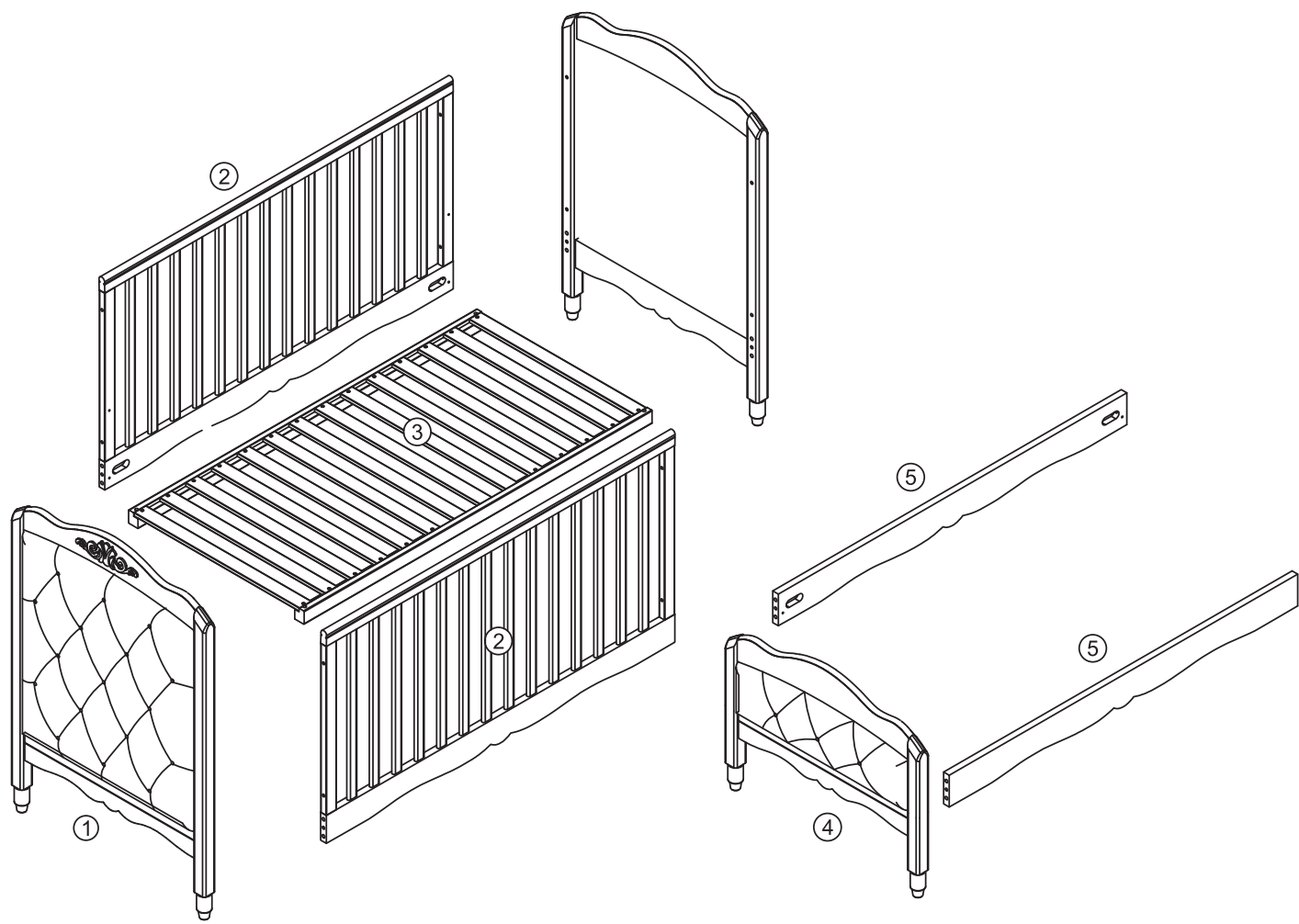
Care and Maintenance

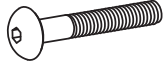
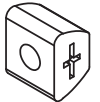

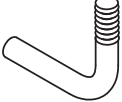
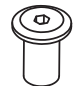

- Do not scratch or chip finish. Do not use abrasive chemicals for cleaning. Use a clean damp soft cloth and mild soap if necessary and thoroughly dry the surface. If the cot is to be stored for a long period of me, store in a cool dry place and carefully package all original hardware to protect from loss.

- Designed and manufactured to BS EN 716 & BS EN 8509:2008 + A1:2013

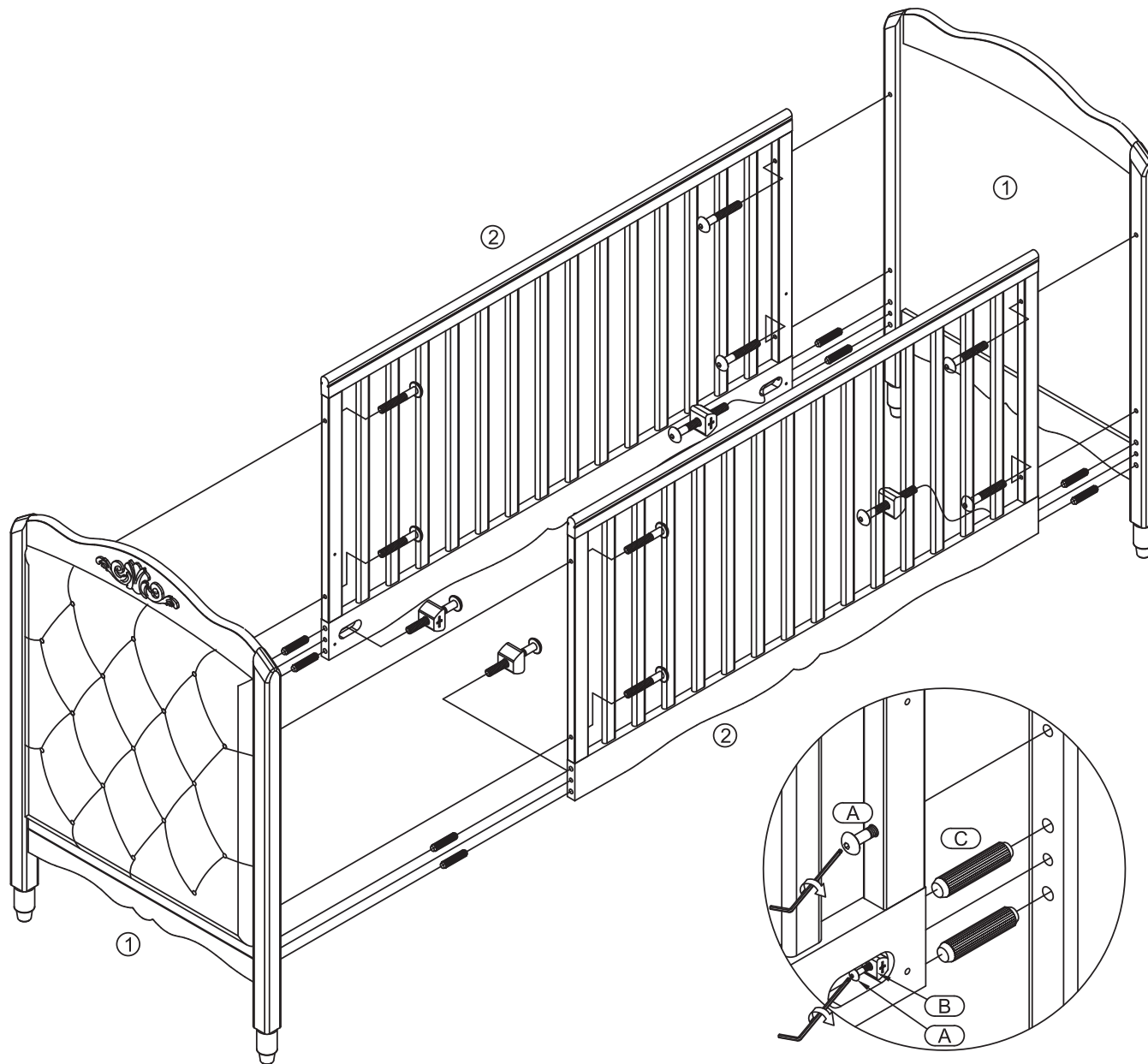
Contact

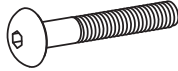
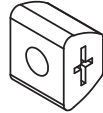

Mee-Go Limited
Unit 5 Victoria Mills, Wharf Street, Dewsbury, West Yorkshire, WF129AU, UK
Tel: 01924 485552.
info@mee-go.co.uk



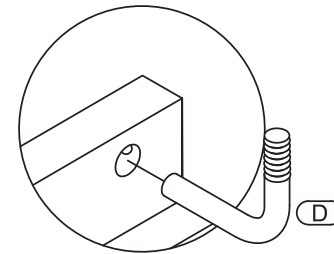
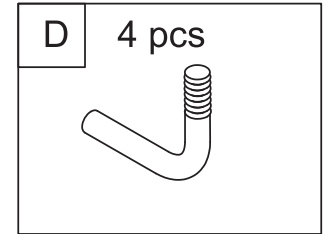
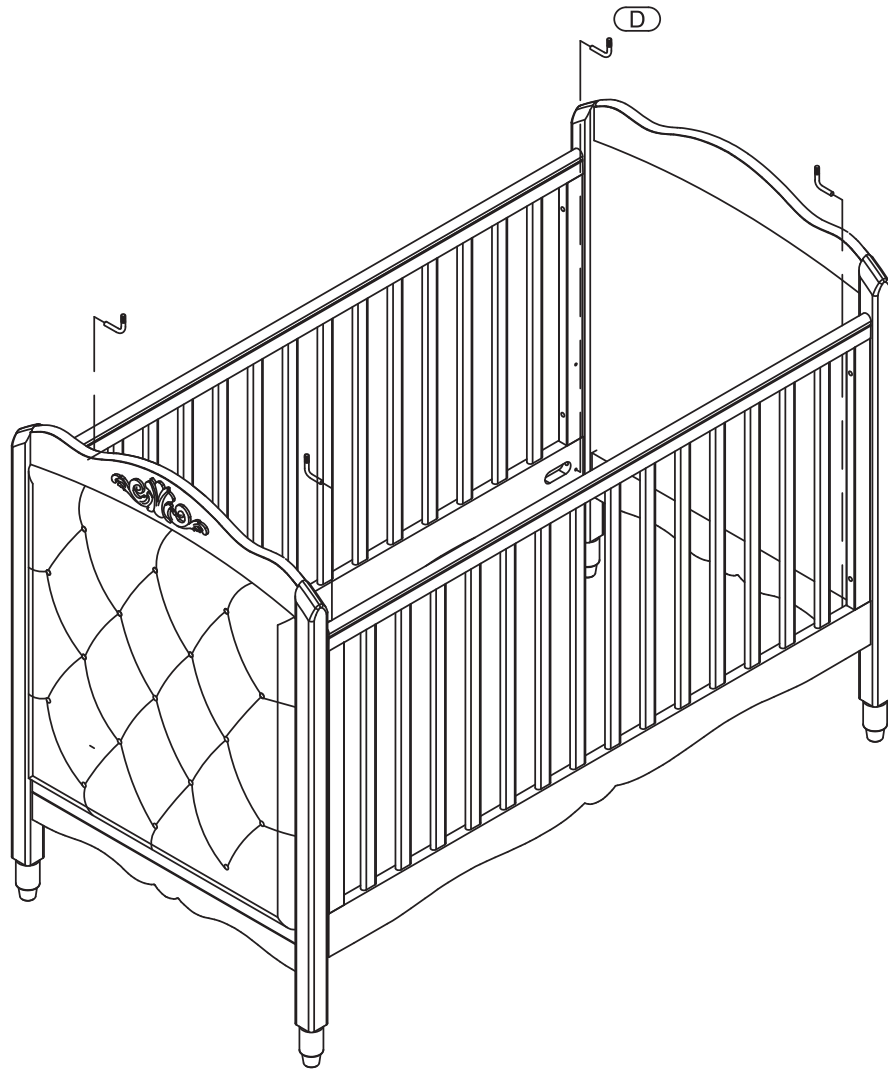
A	16 pcs
	
B	16 pcs
	
C	8 pcs
	
D	4 pcs
	
E	4 pcs
	
F	1 pc
	

1

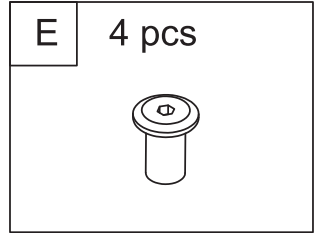
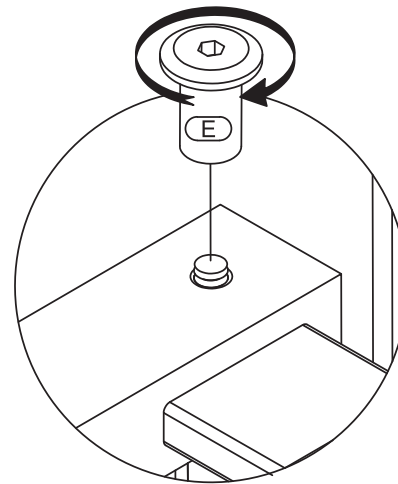
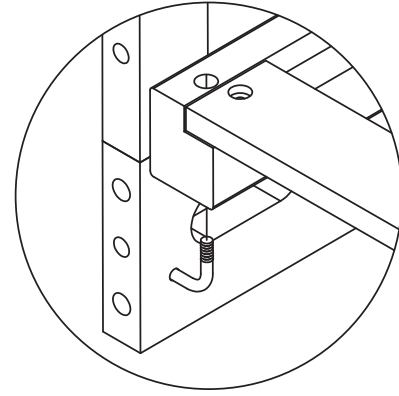
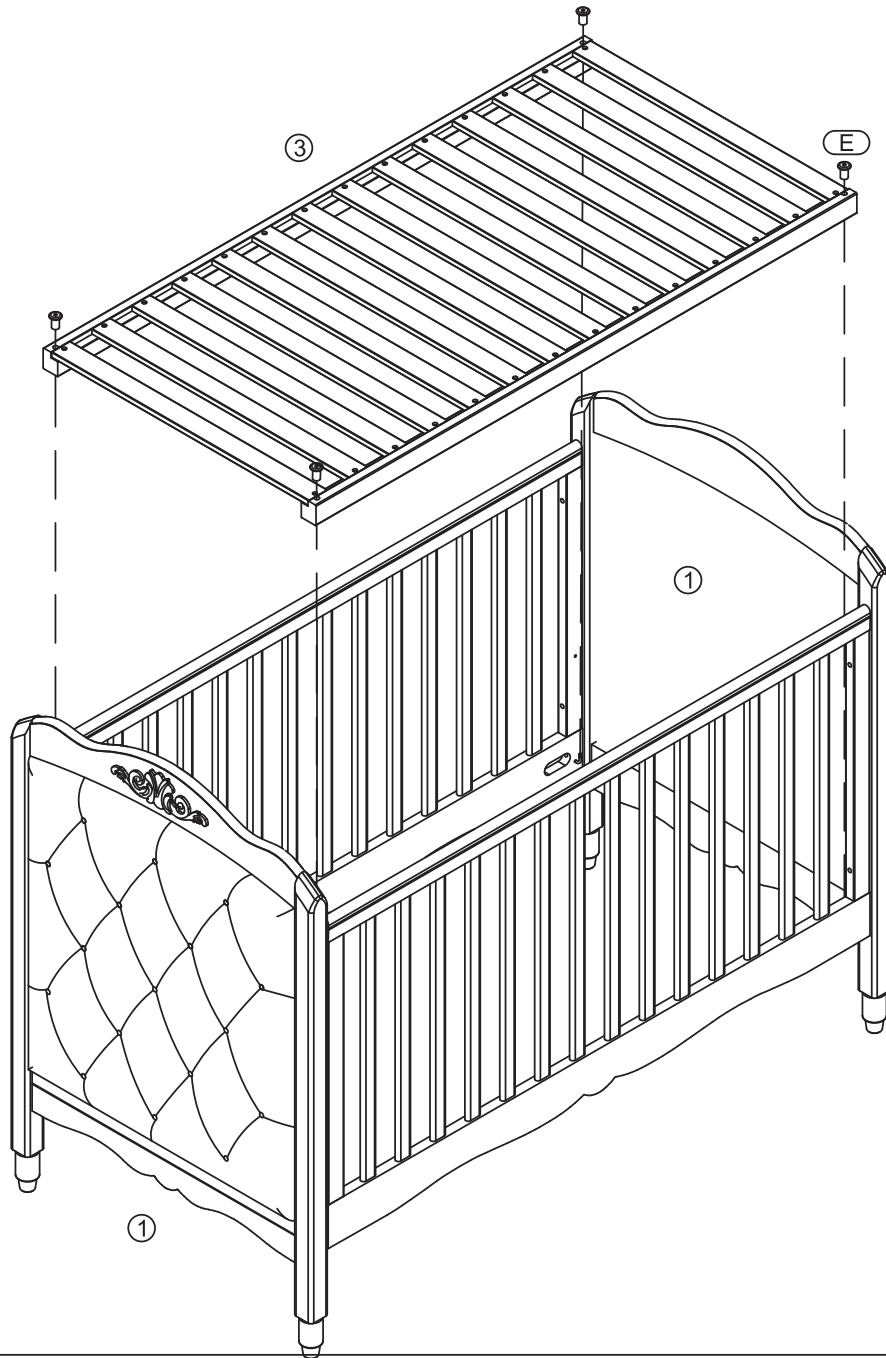


A	12 pcs
	
B	12 pcs
	
C	8 pcs
	

2



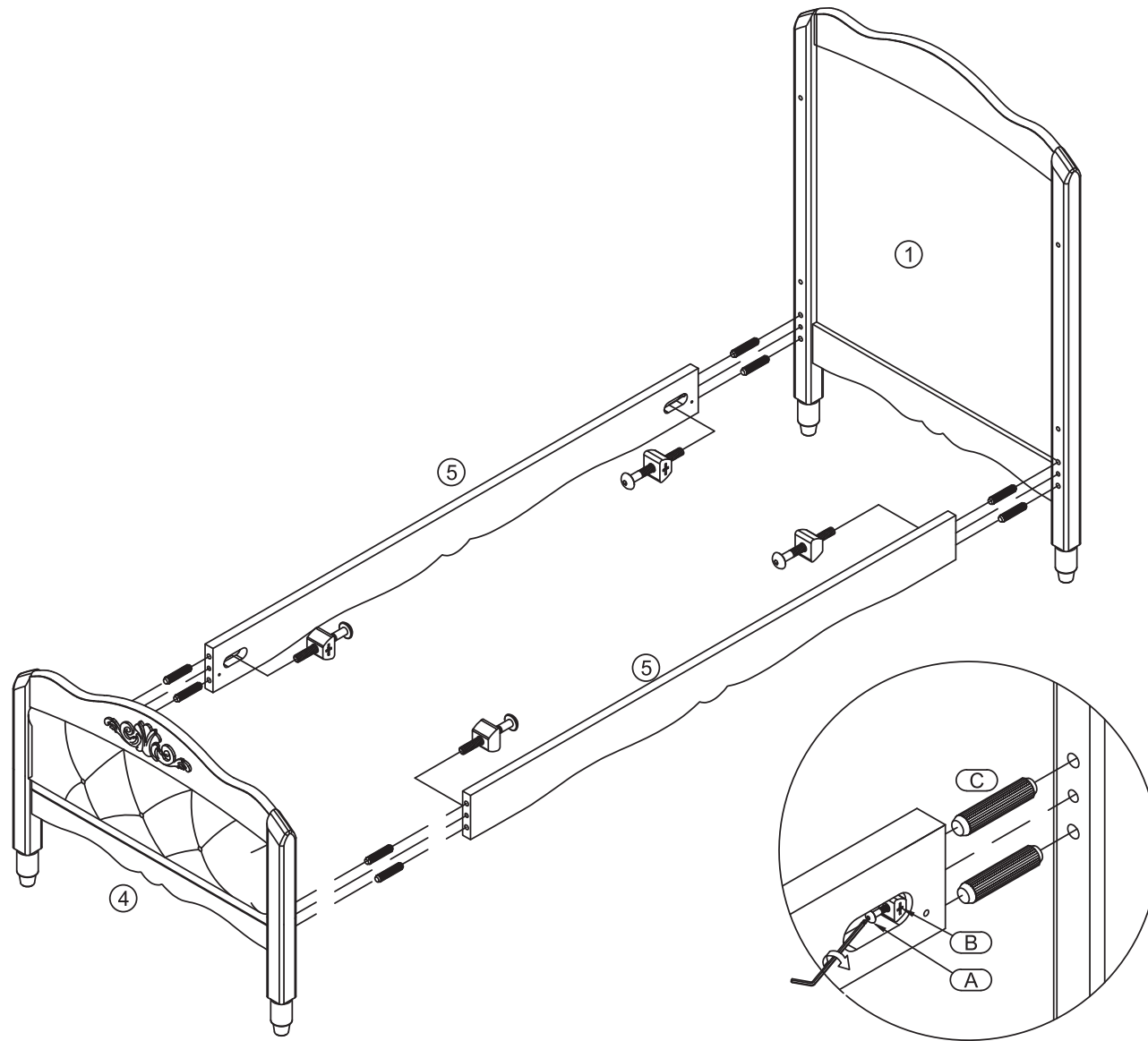
3



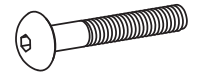
4



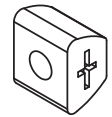
5



A 12 pcs



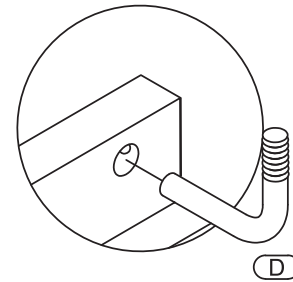
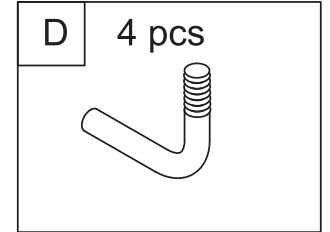
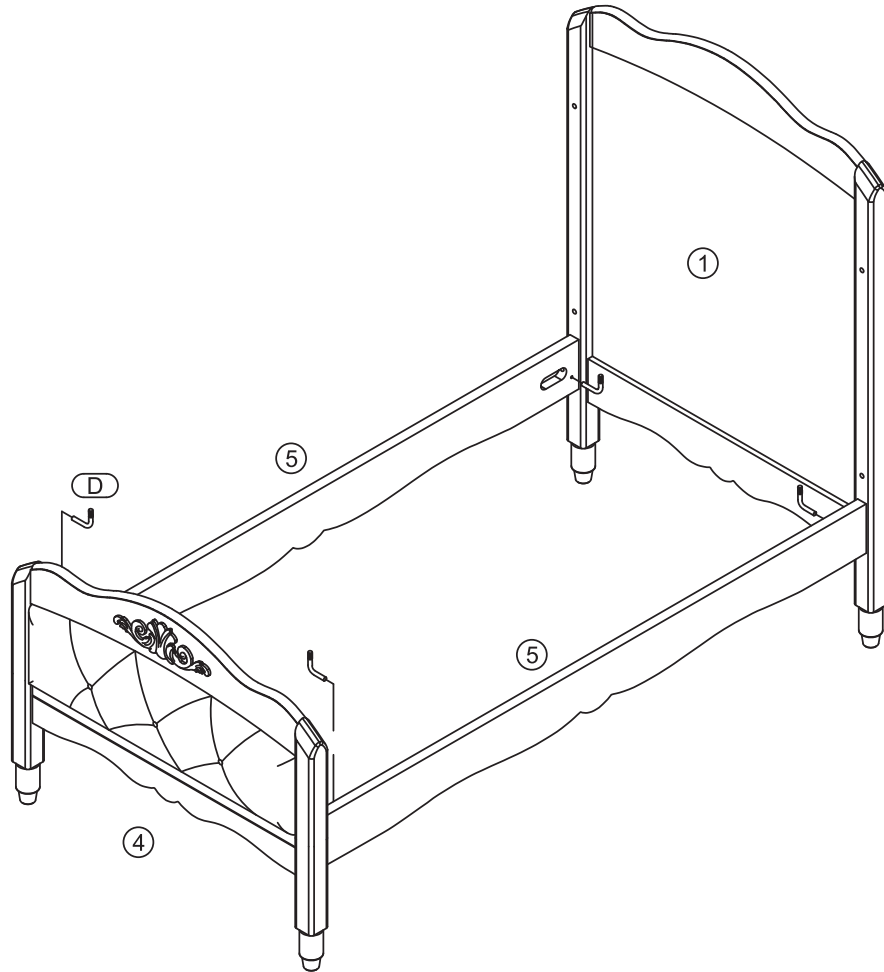
B 12 pcs



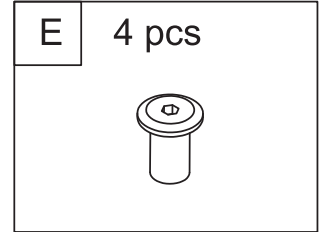
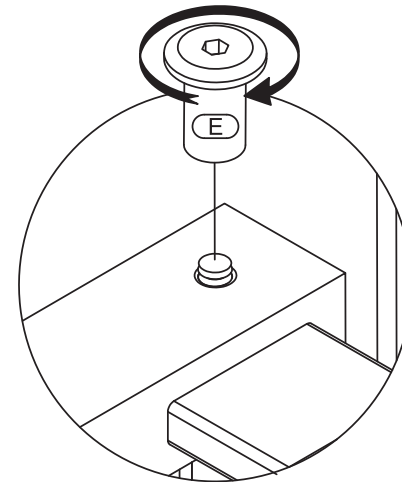
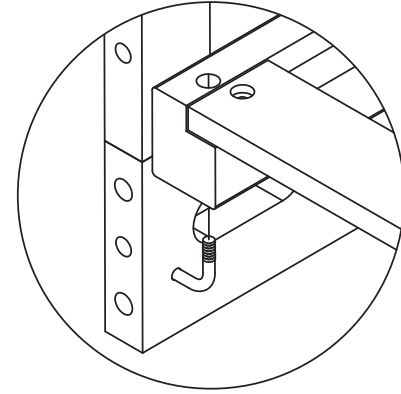
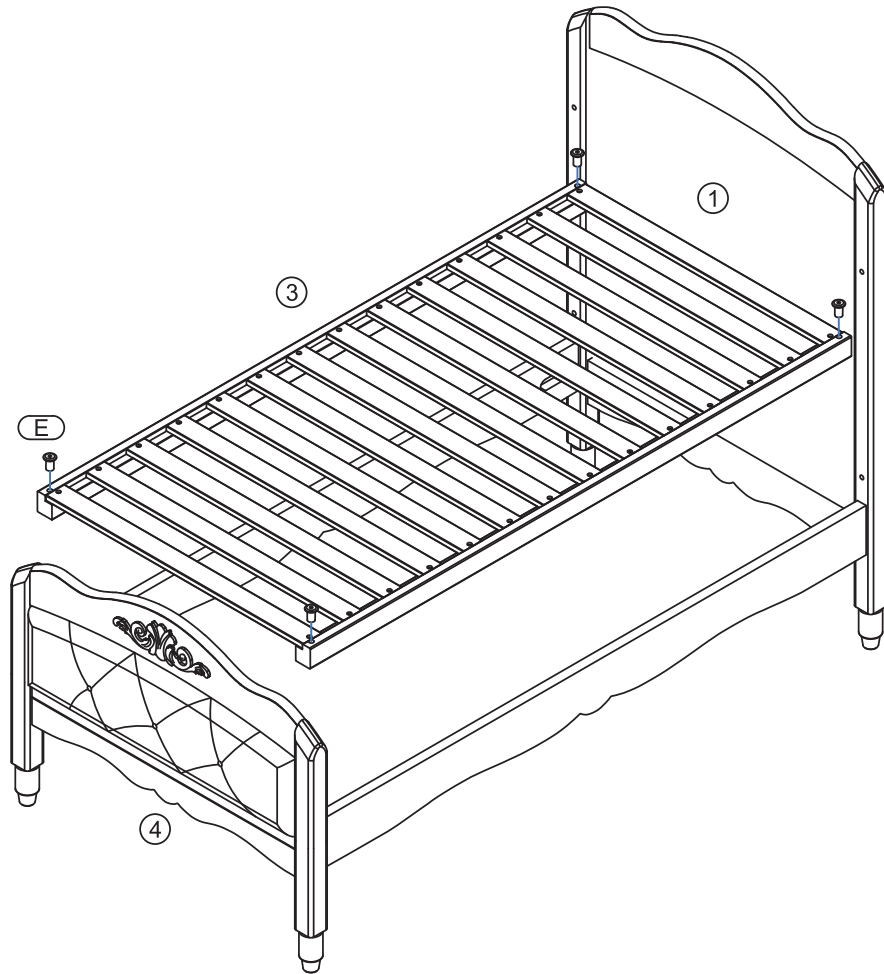
C 8 pcs



6



7



8

