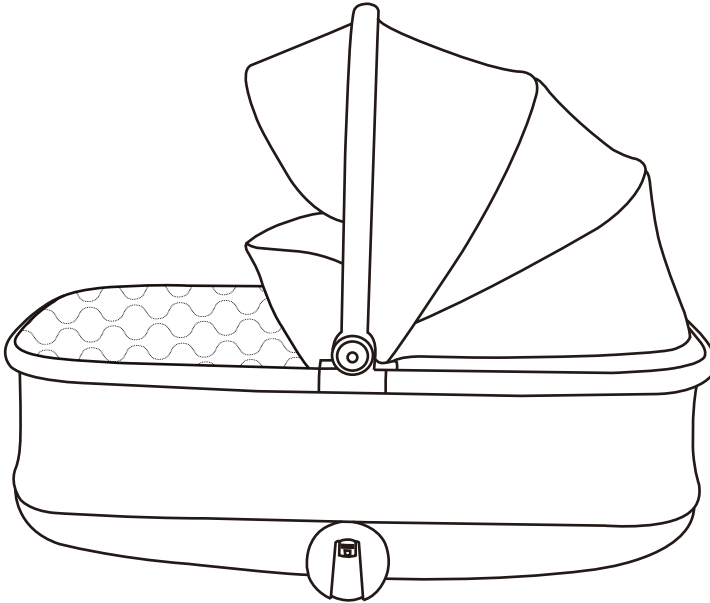


mee-go<sup>®</sup>

COCOON



Dear Customer,

Thank you for purchasing the Cocoon Carrycot.

For the safety of you child, you must read and follow these instructions carefully. This carrycot is suitable from birth to 6 months with maximum weight capacity 9kg.

This product meets the following standards EN1888-1:2018+A1:2022, Mee-go Ltd. reserve the right to improve the product and make further developments to enhance the experience.

**IMPORTANT- READ CAREFULLY AND KEEP FOR FUTURE REFERENCE**

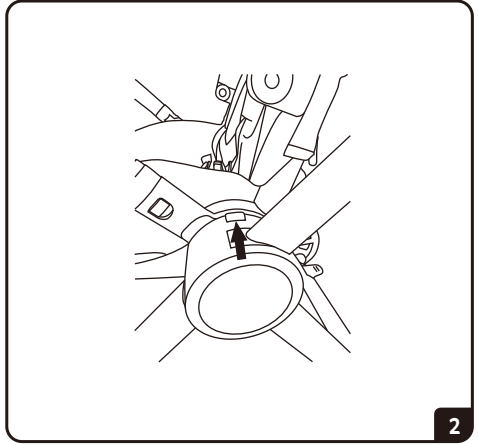


## **WARNING:**

- The carrycot is only suitable for a child who cannot sit up unaided, cannot roll over and cannot push itself up to its hands and knees.
- The head of the child in the carrycot should not be lower than the child's body.
- Only use mattress supplied with the carrycot. Do not use more than 1 mattress in the carrycot. Do not use a mattress thicker than 20mm. Never leave your child unattended while using this carrycot.
- Ensure that all the locking devices are engaged before use.
- To avoid injury ensure that your child is kept away when unfolding and folding this product.
- Do not let your child play with this product.
- Always use the restraint system.
- Check that the carrycot or seat unit attachment devices are correctly engaged before use.
- This product is not suitable for running or skating.
- Lock the brake when you place your child into the stroller and lock again when you remove your child.
- Regularly check if there's any visible damage to the handle & base unit.
- In stroller mode the seat unit is suitable up to a maximum child's weight of 22kg or 4 years old, whichever comes first.
- When using the carrycot, the carrycot is suitable for a baby from 0 to 6 months up to a maximum weight of 9kg.
- Maximum weight of the child using the carrycot is 9kg.
- The maximum loading for the storage basket is 5kg.
- This stroller chassis is designed and tested to be used with the carrycot or the seat unit.
- Any additional load attached to the handle and/or on the back of the backrest and/or on the sides of the stroller will affect its stability.
- Do not carry more than one child in this stroller.
- Do not use extra accessories not intended for the stroller and only use replacement parts supplied & approved by the manufacturer.
- This stroller does not replace a cot or a bed.
- Never use this stroller on a stand or platform.
- Use only on firm, horizontal, level and dry surfaces.
- Do not let other children play unattended near the stroller.
- Do not use, if any part of the stroller is broken, torn or missing.
- Do not place the stroller near an open fire or other source of strong heat

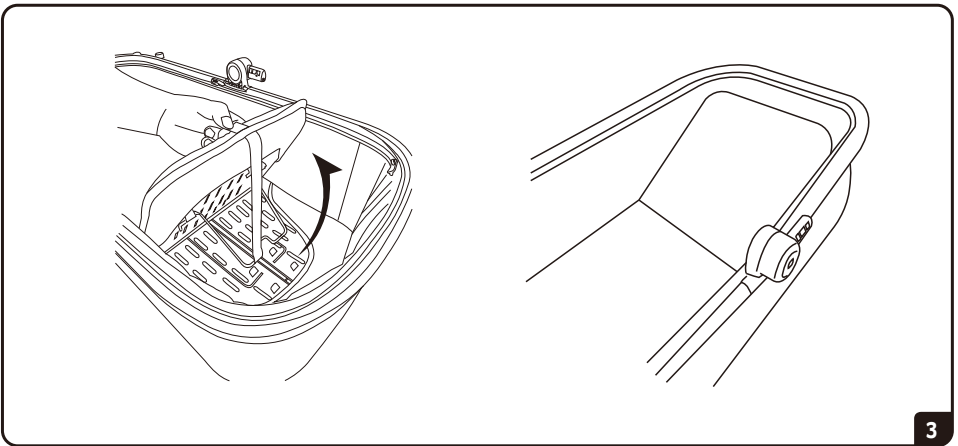
## Assembling the carrycot

### Fixing the carry cot onto the chassis:



1. To assemble the carrycot onto the chassis, lineup the side fixings and push down until you hear a “click” sound.
2. To remove the carrycot, press the release button shown in fig 2 and lift to remove.

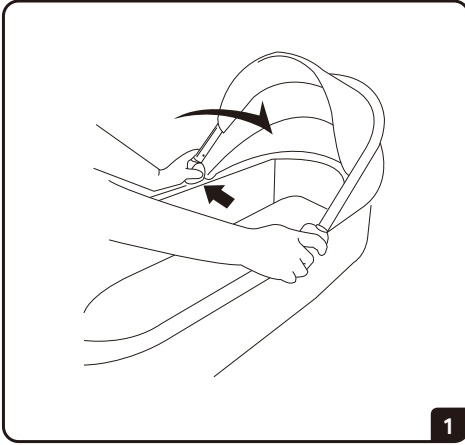
### Adjusting the head pad:



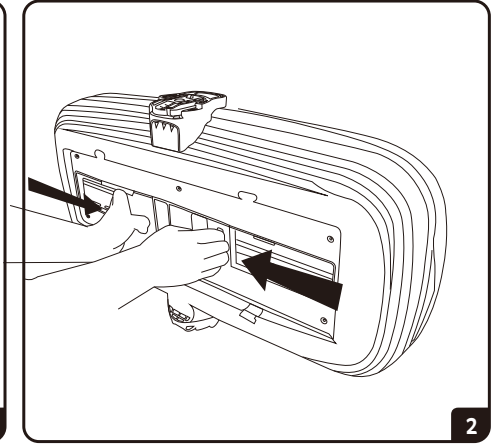
3. Pull up the head pad and adjust the bar hidden behind to required angle. Replace the head pad.

## Adjusting the carrycot

### Adjusting the canopy:

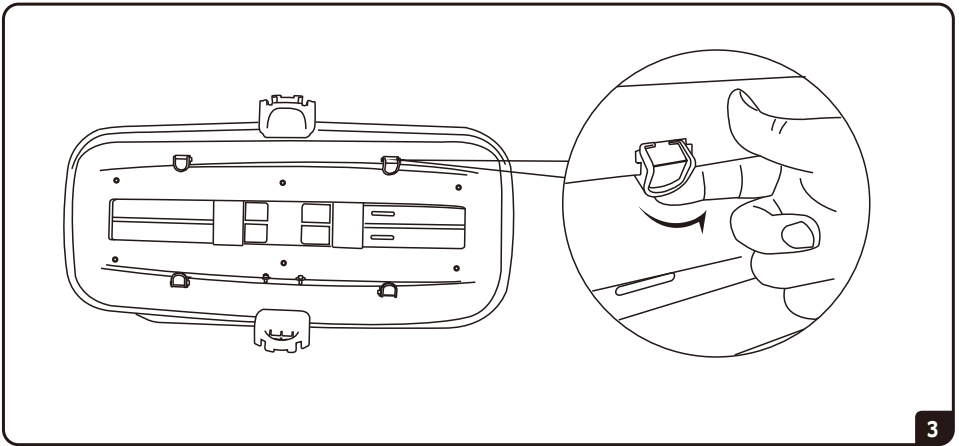


### Folding the carrycot:



1. To adjust the canopy, press the buttons on each side simultaneously then open or close as required.
2. To fold the carrycot, pull the two buttons found on the base towards the centre as shown in fig 2.
3. To unfold the carrycot, pull the two buttons found on the base towards the outside until you hear a “click”.

### Using the carrycot feet:



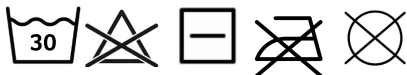
4. Before placing the carrycot on the ground, pull out the four feet found on the base.

## Maintenance instructions

- To ensure your baby is protected from accidental injury, please check and maintain the carrycot and chassis regularly.
- Please do not store in direct sunlight and rain.
- Regularly check if there are loose screws, damaged parts or broken stitches, if necessary replace the damaged parts.
- Please use the product carefully following the instructions to avoid damage or accidental injury.
- Please use a cloth or brush to clean the seat fabric and use household soap or neutral detergent to clean other parts.

Lining, Inner lining, Foot cover and Canopy (100% Polyester)

Inner lining:



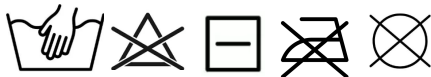
Machine wash cold, gentle cycle, with mild detergent.

Dry flat and away from direct sunlight.

Wash before re-use or storage.

**DO NOT BLEACH. DO NOT IRON. DO NOT DRY CLEAN.**

Outer carrycot:



**Spot clean only. DO NOT BLEACH. DO NOT IRON. DO NOT DRY CLEAN.**

## Attention!

- Please check all components are installed correctly and fastened in place before each use.
- Do not let the child climb into or out of the carrycot or stand on the carrycot.
- Do not use the carrycot on rough ground, near fire and other dangerous areas.
- Avoid using or storing the stroller in wet, cold or high temperature environments, keeping it away from fire or strong heat.

**Mee-go Ltd.**  
Unit 3A Victoria Mills,  
Mill Street East, Dewsbury,  
West Yorkshire, WF129AQ  
**United Kingdom**



**Contact Mee-go:**  
t: 01924 485552

[info@mee-go.co.uk](mailto:info@mee-go.co.uk)

[www.mee-go.co.uk](http://www.mee-go.co.uk)